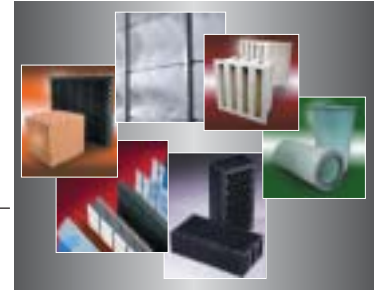
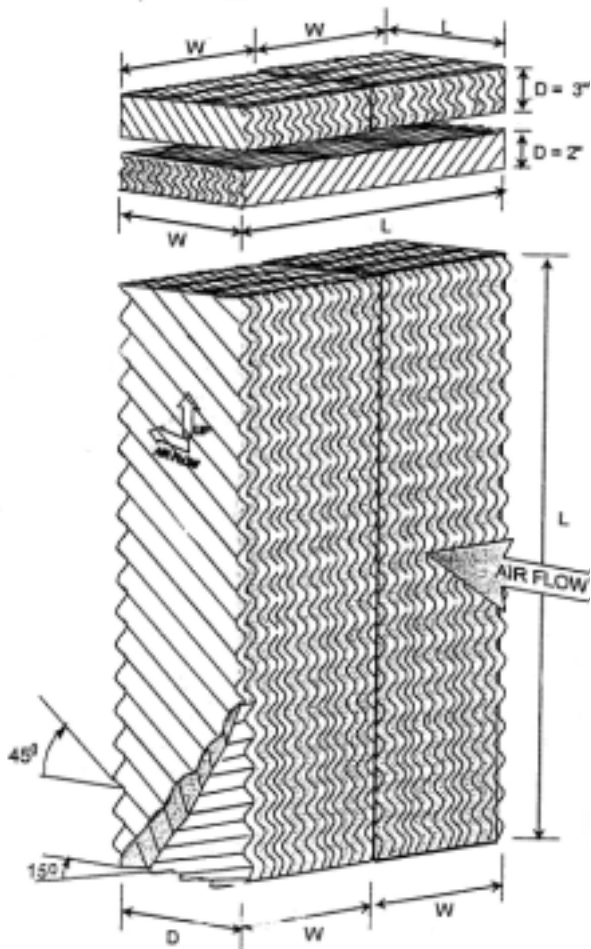




## Distribution Pads



### DISTRIBUTION PADS To fit flush on top of media



### Description:

Distribution pads are used in conjunction with cooler media for lateral distribution of water to the cooler media below. These specially designed 2" or 3" pads are also protected with patented edge treatment. Distribution pads are constructed of the exact same material as the cooler media

### Distribution Pad Sizes:

Standard sizes available are:

Length: 48", 60", 72"

Width: 6", 8", 12"

Depth: 2", 3"

Custom sizes available if required.

Although field cutting is possible and may be required for proper installation, Pneumafil recommends ordering all media cut to size in the factory. Factory tolerance on any dimension is +/- 3/16". Consult your inlet system operation manual for exact sizes of distribution pads required for your inlet.

Many Pneumafil inlet filter systems are designed with a total depth of 14" of cooler media to achieve 90% cooling efficiency. The total depth is achieved by using a 6" deep media element followed by an 8" deep element.

### Ordering:

All distribution pads are specified by the base part number **S52147**.

Exact sizes are tabulated using a two or three digit suffix in the format **-C##**.

Example: A 2" deep x 8" wide x 55" long element is designated by the part number **S52147-C1**. See submittal drawing number S52147-C for the complete tabulation of previously defined sizes.